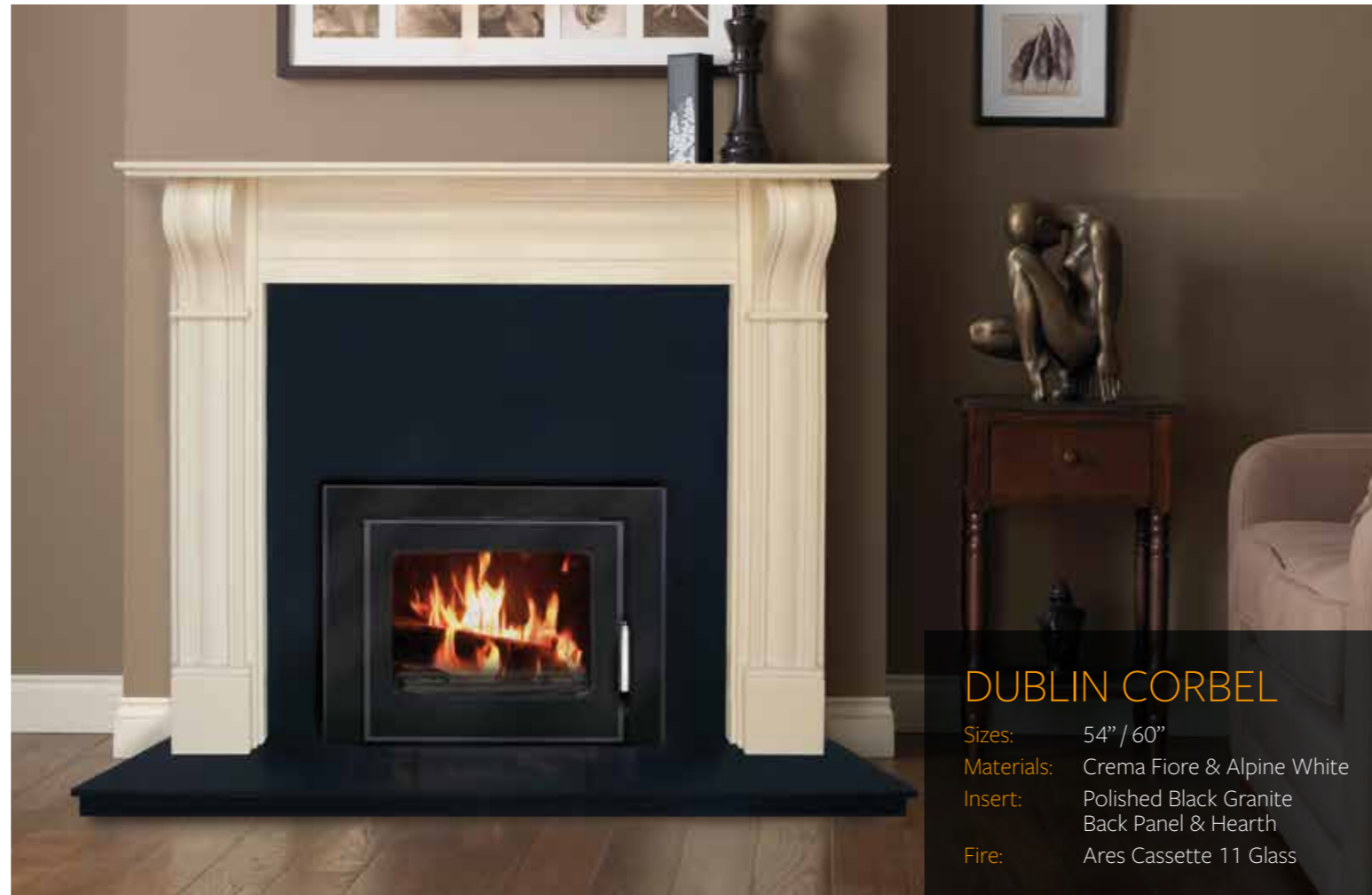




ARTS & CRAFTS

Sizes: 54"
Materials: Crema Fiore & Alpine White
Insert: Polished Black Granite Back Panel & Hearth
Fire: Ares Cassette 9 Steel



DUBLIN CORBEL

Sizes: 54" / 60"
Materials: Crema Fiore & Alpine White
Insert: Polished Black Granite Back Panel & Hearth
Fire: Ares Cassette 11 Glass

HÓTA ARES Cassette stoves come in a range of sizes and styles

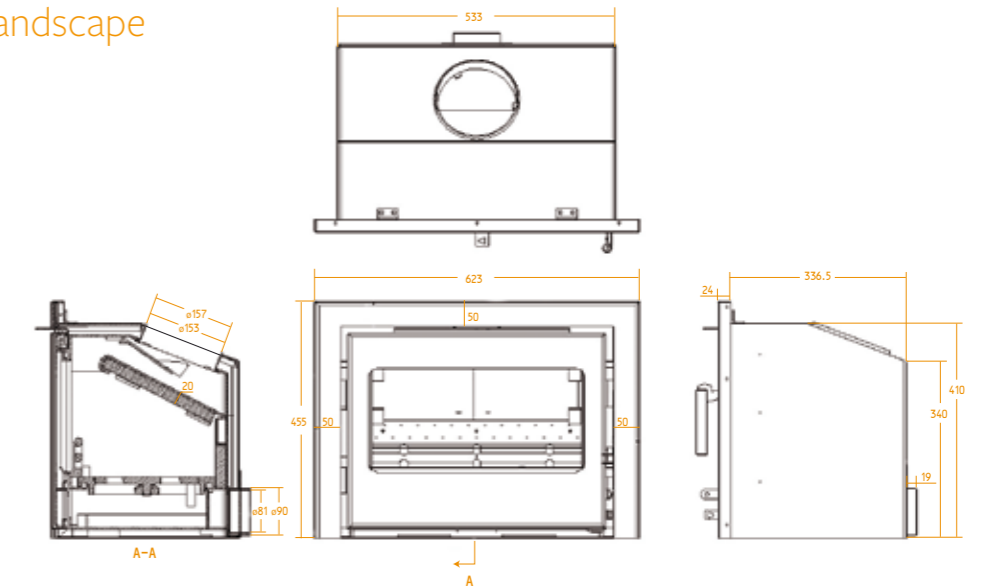


We've been making stoves for a long time now – a combined experience of more than 70 years. Our customers talk about our great designs delivering efficient, cost effective heat keeping their homes cosy. We also have a reputation for really looking after our customers.

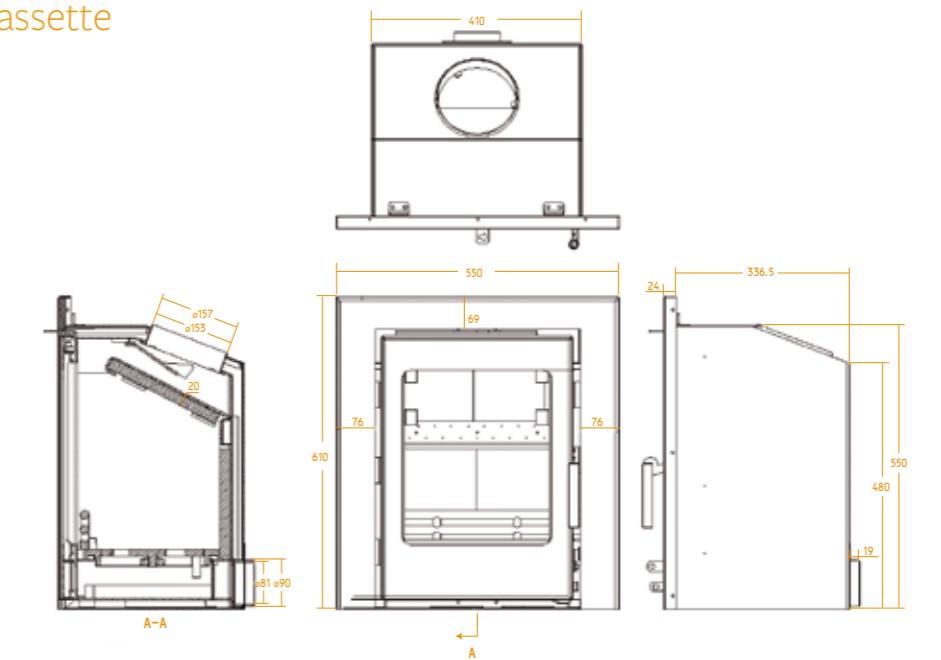
We hand-pick our dealers not only for their intimate knowledge of fireplaces and stoves, but for their brilliant customer service too. They'll be with you right from the start – from choosing the right fireplace and stove for your home, fitting it, and caring for it for many years to come. Our dealers are spread out all over the UK and Ireland, so wherever you are, you'll always be in safe hands.

Experience

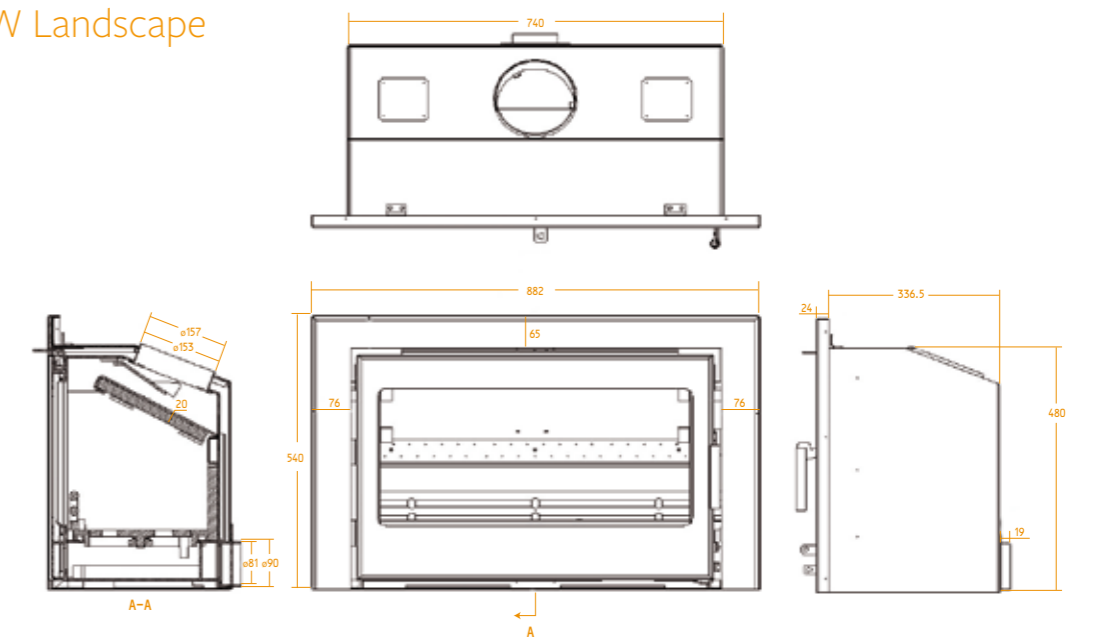
ARES 5kW Landscape Cassette



ARES 6kW Cassette



ARES 8kW Landscape Cassette



Quality

Our robustly made inserts are made with the finest grade materials and are built to deliver superb heat output over many years of service.

Optional External Air

HÓTA ARES Stoves offer external air control as an option on each appliance. Simple for the retailer to stock, simple to fit, simple to operate!

Airwash Technology

HÓTA ARES Stoves use a Scandinavian-designed system which provides for a vent to draw in cool air at the top of the appliance to wash down the inside window, thus keeping the glass clean and aiding combustion.

Convection System

HÓTA ARES Stoves include a convection system, whereby cool air is drawn from the room into the convection chamber, the air is heated as it rises within the stove which then flows out into the room.

Five Year Warranty

HÓTA ARES Stoves come with a five year warranty. Please fill in the warranty card found in the instruction manual and return to us at HÓTA to ensure you receive our 5 year warranty.

CE Approval

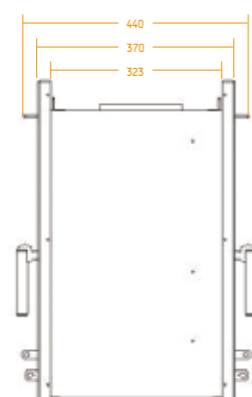
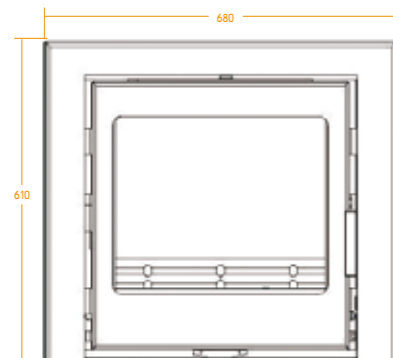
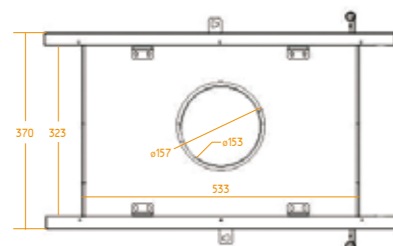
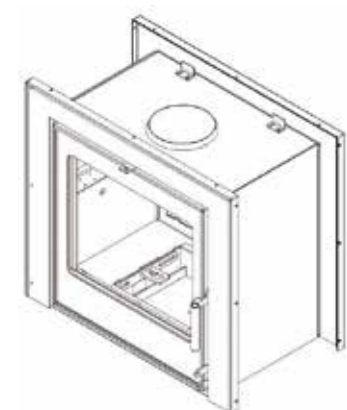
CE EN 13240 and EN 13229 Approval.

Efficiency

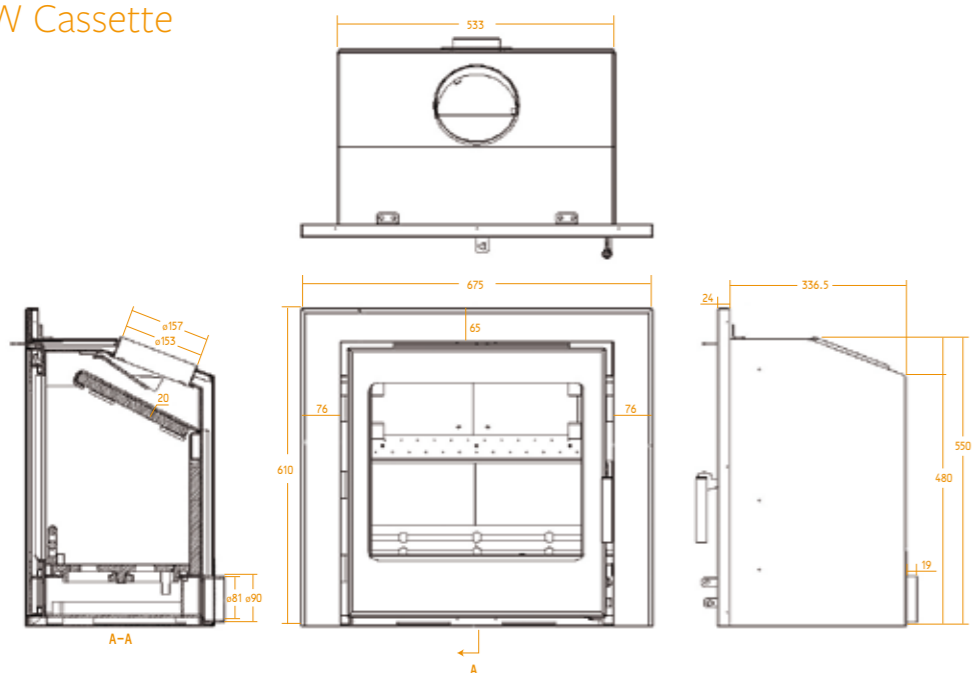
HÓTA ARES Stoves are tested up to 80% efficiency.

Quality

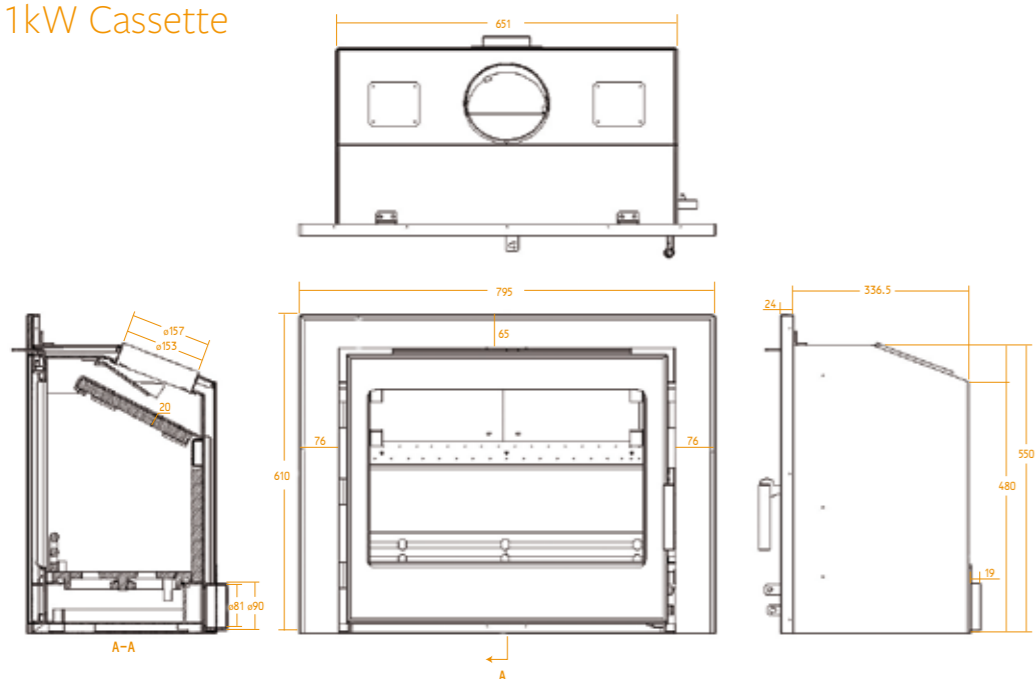
ARES 9kW
Double Sided Cassette



ARES 9kW Cassette



ARES 11kW Cassette



Unit 4, JFK Park, Killeen Road,
Dublin 12,
Ireland.

T: +353 1 4265990

E: info@hota.ie

www.hota.ie



FLAT VICTORIAN

Sizes: 54" / 60"
Materials: Crema Fiore & Alpine White
Insert: Polished Black Granite Back Panel & Hearth
Fire: Ares Cassette 11 Glass

ARES Stove Brochure